

MORSpeed Handles Rimmed Drums Simply and Quickly

Move more drums with MORSpeed

- Lift, move and place rimmed drums right from your forklift
- Mounts on forks in seconds without any tools
- No power connections
- Raise forks to grip drums
- Massive steel jaws grip upper rim of drums
- 1500 Lb. Capacity per drum

All MORSpeed Forklift

Attachments allow you to grab, lift, move and place drums in minimum time without leaving the driver's seat of your fork truck. Raise and lower the forks to grab and release drums. The massive steel jaws are contoured to securely grasp the drum. They are completely mechanical and automatic.

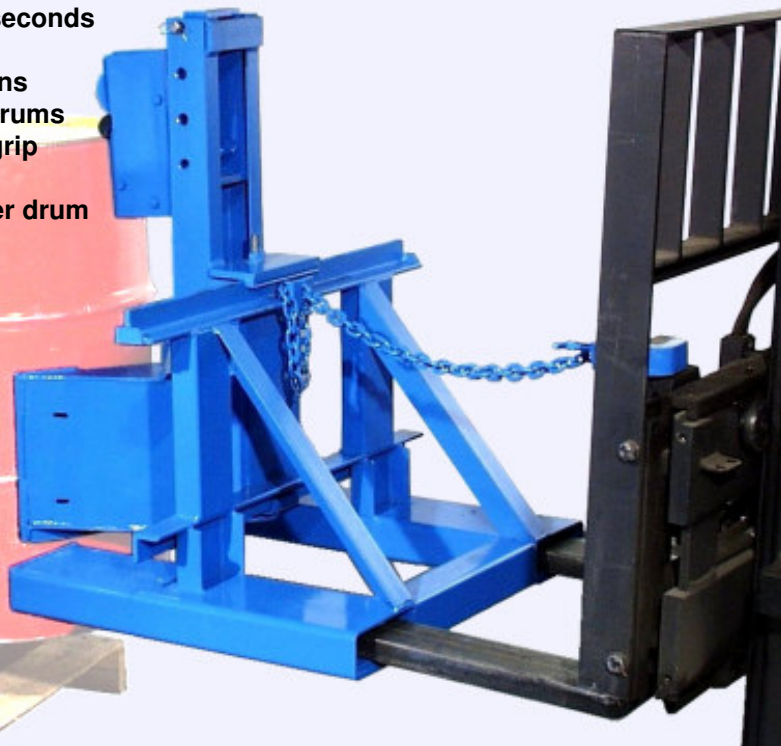
MORSpeed will work with straight walled drums or even deformed ribs, since it does not depend on the drum ribs or friction. No modifications to your truck. Nothing out of the ordinary for the operator to do either. Just raise and lower the forks and drive forward and back as necessary.

MORSpeed is designed to handle virtually any common rimmed drum, whether steel (closed head or removable top with clamp ring), plastic (with non-removable top) or fiber (with metal clamp ring closure) in a wide range of sizes and weights. Plastic drum manufacturers have designed their drums with rims to be lifted by this rim-gripping action. Contact Morse for advice on suitability of unusual drums or rim shapes.

MORSpeed models will handle rimmed steel, fiber or plastic drums. They require a minimum drum height of 24", but will handle any diameter. They work with or without pallets, and even with damaged or straight walled drums. The minimum weight per drum required to actuate the jaws is 75 Lb. on a model with one head per drum and 350 Lb. with two heads per drum.

MODEL	DESCRIPTION	SHIP WT
288-1	1 Drum Handler, 1 Head for the drum	267 Lb.
288-1-2H	1 Drum Handler, 2 Heads for the drum	314 Lb.
288-2	2 Drum Handler, 1 Head per drum	389 Lb.
288-2-2H	2 Drum Handler, 2 Heads per drum	485 Lb.
287	Carriage Mount, 1 Head for the drum	138 Lb.
287-2H	Carriage Mount, 2 Heads for the drum	186 Lb.

Spark resistant models are also available (see side 2).



Model 288-1 is designed to handle one rimmed drum.



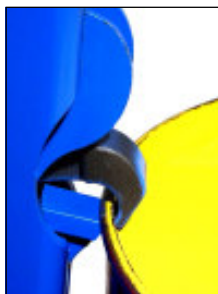
Model 288-1-2H has two heads to handle one rimmed drum.



Model 288-2 is designed to handle one or two rimmed drums at a time.



Model 288-2-2H has two heads per drum to handle one or two rimmed drums at a time.



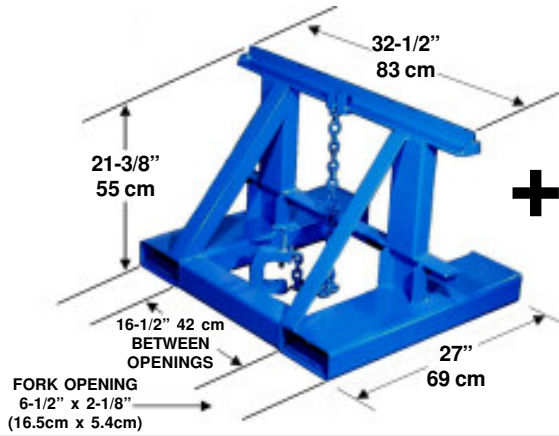
Wide **MORSpeed** jaws are contoured to securely grasp virtually any rimmed drum. The encased mechanism provides precise, reliable, automatic drum gripping.



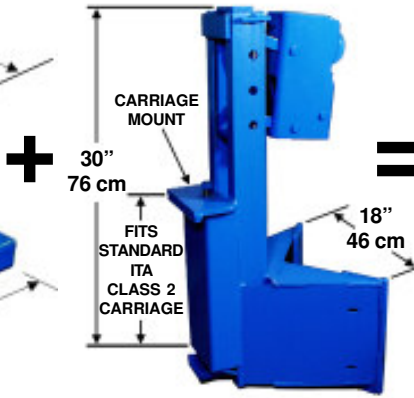
Two heads per drum versions reduce stress on the drum by distributing the weight between two sets of jaws. This is a feature of Models 288-1-2H, 288-2-2H and 287-2H.

Durable and Automatic Drum-Gripping Mechanism

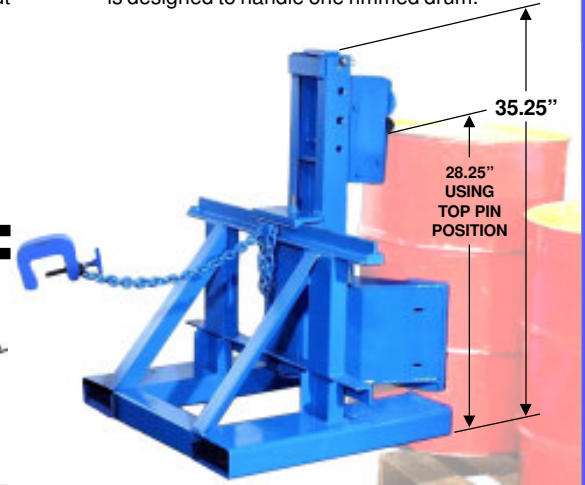
Model 288-0 Fork Reach Mount is a component of *MORSpeed* Series, but is not a drum handler by itself.



Model 287 Carriage Mount can be mounted directly onto an ITA class 2 carriage without forks for use in tight spaces.



Model 288-1 MORSpeed Drum Handler is designed to handle one rimmed drum.

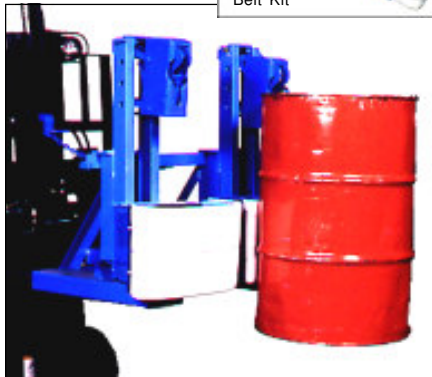


Option:

Belt Kit part # 2523-P (shown left) puts a shock absorbent surface in front of the steel backrest of the *MORSpeed* to protect the finish on a drum. It is easy to install using 4 bolts provided. *MORSpeed* models use one belt kit per drum.



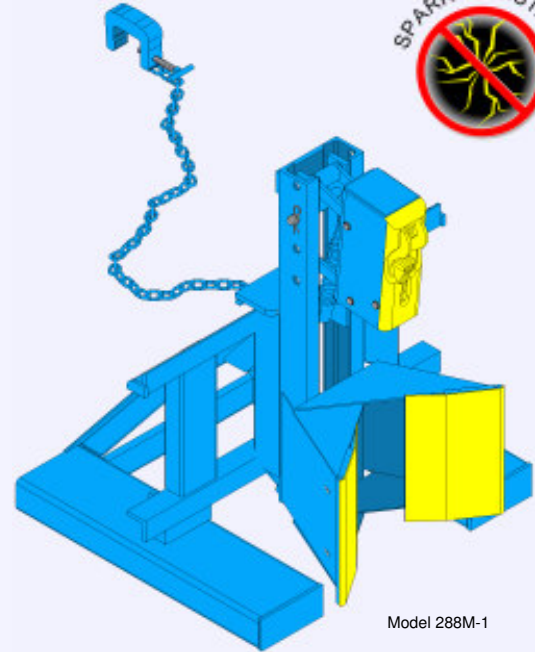
Belt Kit



MORSpeed Models with Spark Resistant Parts

The head and jaws that grip the drum, as well as the backrest of spark resistant *MORSpeed* models, are made of monel, not just coated or painted. These monel parts are illustrated yellow here for clarity, but are painted blue on actual product. Monel is an alloy consisting mostly of nickel and copper to minimize the possibility of sparking. Nozzles on gasoline pumps are made of monel.

Spark resistant parts are intended to reduce the possibility of mechanical sparks as a possible source of ignition. They are not a substitute for grounding and bonding to prevent static electricity discharges.



Model 288M-1

SPARK RESISTANT MORSpeed MODELS

MODEL	DESCRIPTION	SHIP WT
288M-1	Spark Resistant 1 Drum Handler, 1 Head for the drum	267 Lb.
288M-2	Spark Resistant 2 Drum Handler, 1 Head per drum	381 Lb.
287M	Spark Resistant Carriage Mount, 1 Head for the drum	138 Lb.

MORSE MFG. CO., INC. • 727 West Manlius Street
P.O. Box 518 • East Syracuse, NY 13057-0518
Phone: 315-437-8475 • Fax: 315-437-1029
Email: nicepeople@MORSEmfgco.com
Website: www.MORSEmfgco.com

Please contact your Morse dealer: